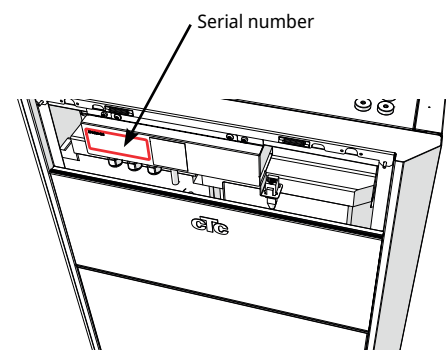
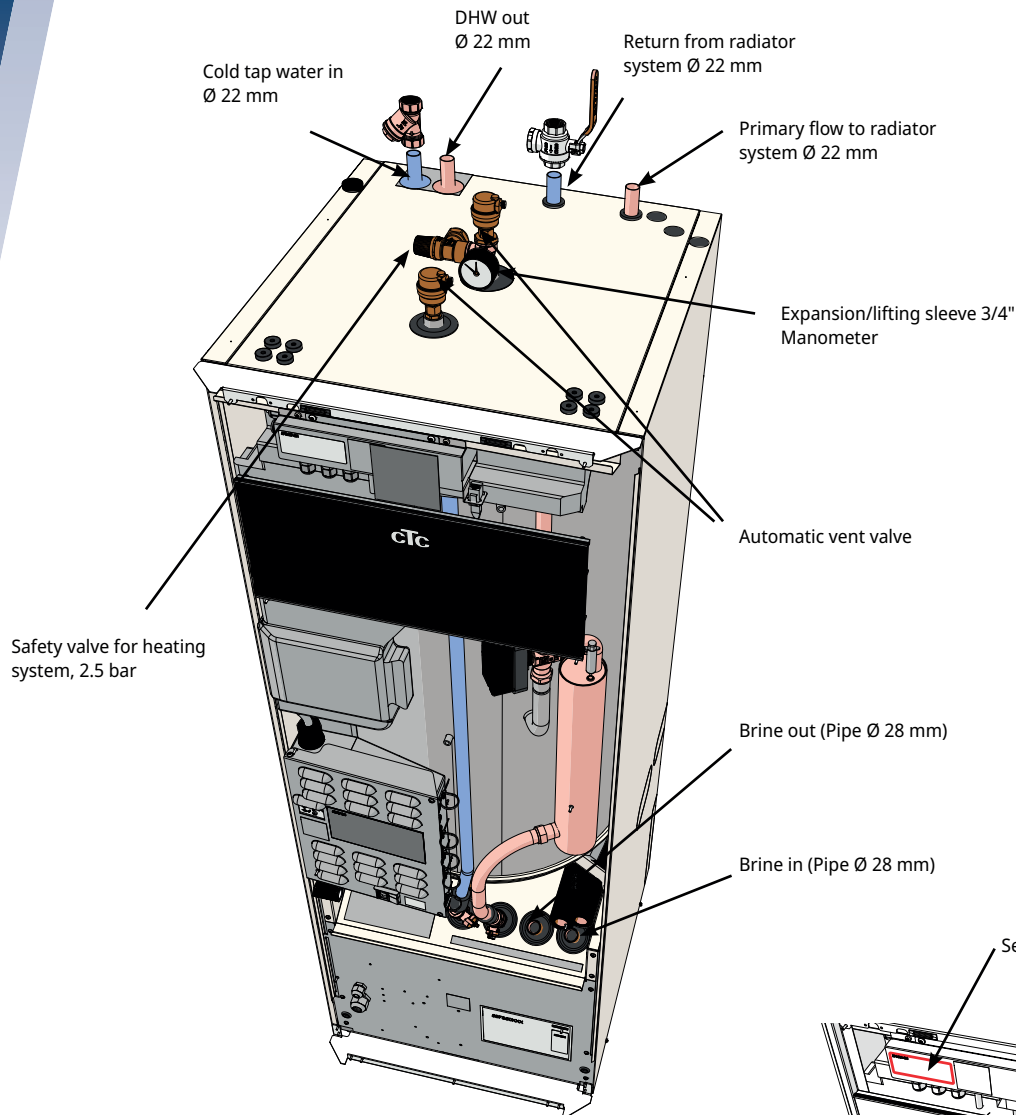
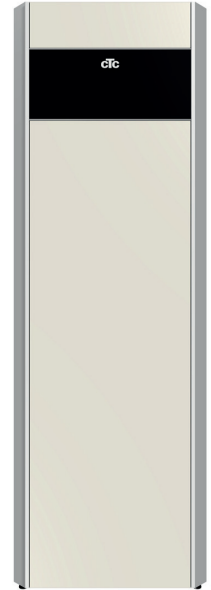
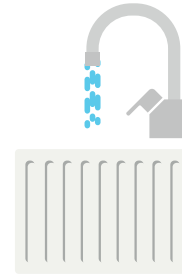


# Overview of basic DHW installation\*

## CTC GS / CTC GSi

Ground source heat pump

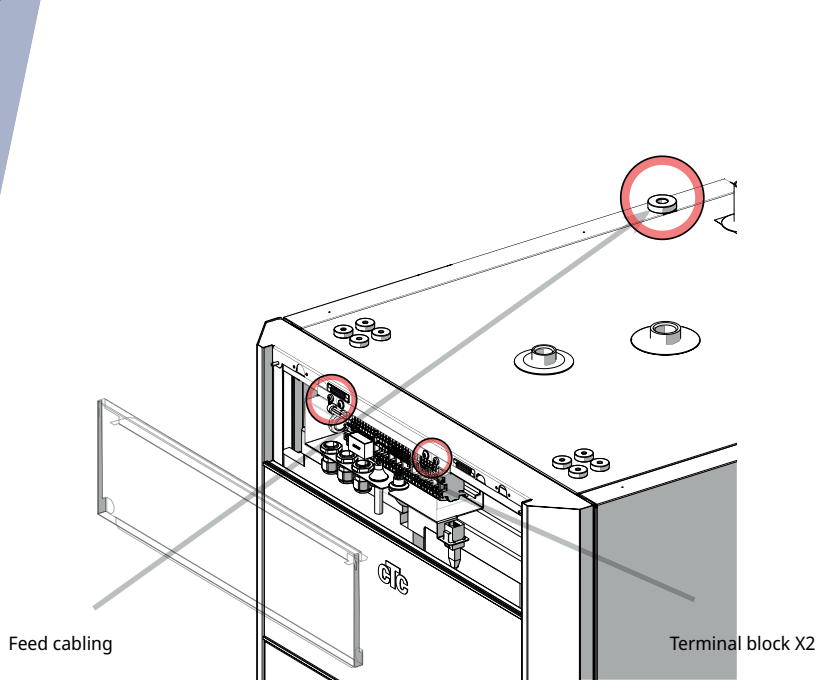
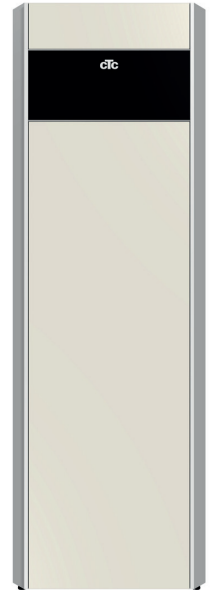


\*This overview is only intended as an aid to installation. All safety and installation instructions in the Installation and Maintenance Manual for the product must be followed.

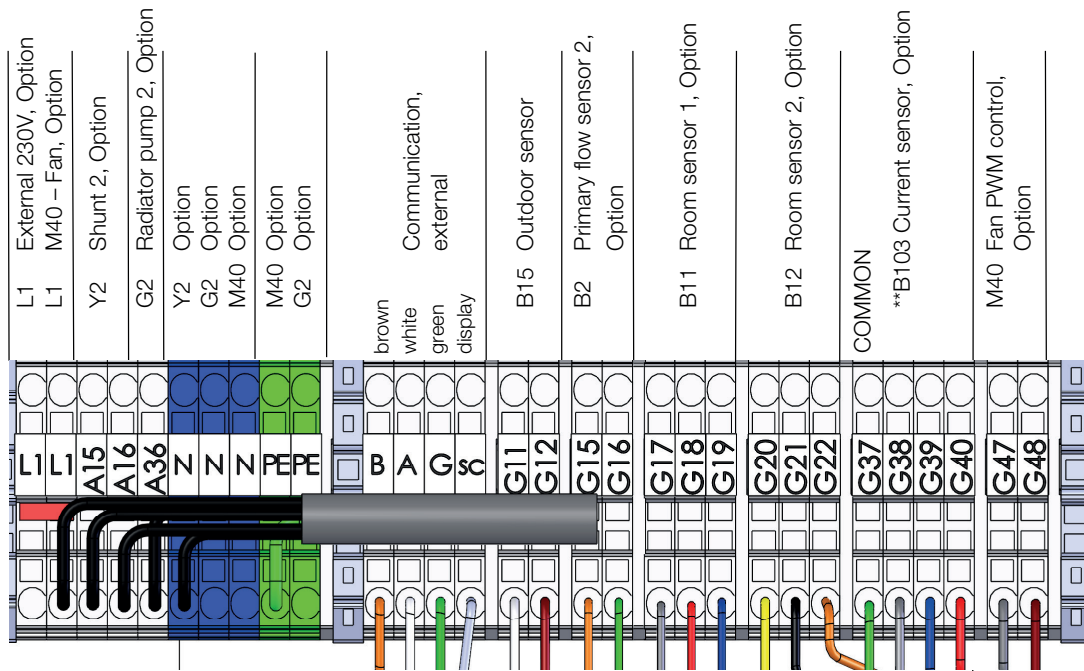
# Overview of basic electrical installation\*

## CTC GS / CTC GSi

Ground source heat pump



The electrical connection must be preceded by an omnipolar switch and a residual current device in the central unit. The system must be dimensioned so that all necessary rules and requirements are fulfilled (read the Installation and Maintenance Manual).



Terminal block X2

\* This overview is only intended as an aid to installation. All safety and installation instructions in the Installation and Maintenance Manual for the product must be followed.